

DUAL FACE LIGHT POLE

NOT TO SCALE

DISCLAIMER:

These typical details are preliminary and conceptual in nature. They are provided for general information purposes only. Anyone making use of these details and related information does so at their own risk and assumes all liability for such use. Site specific design should be performed by a licensed Professional Engineer who is familiar with the actual site conditions, materials, and local practices.

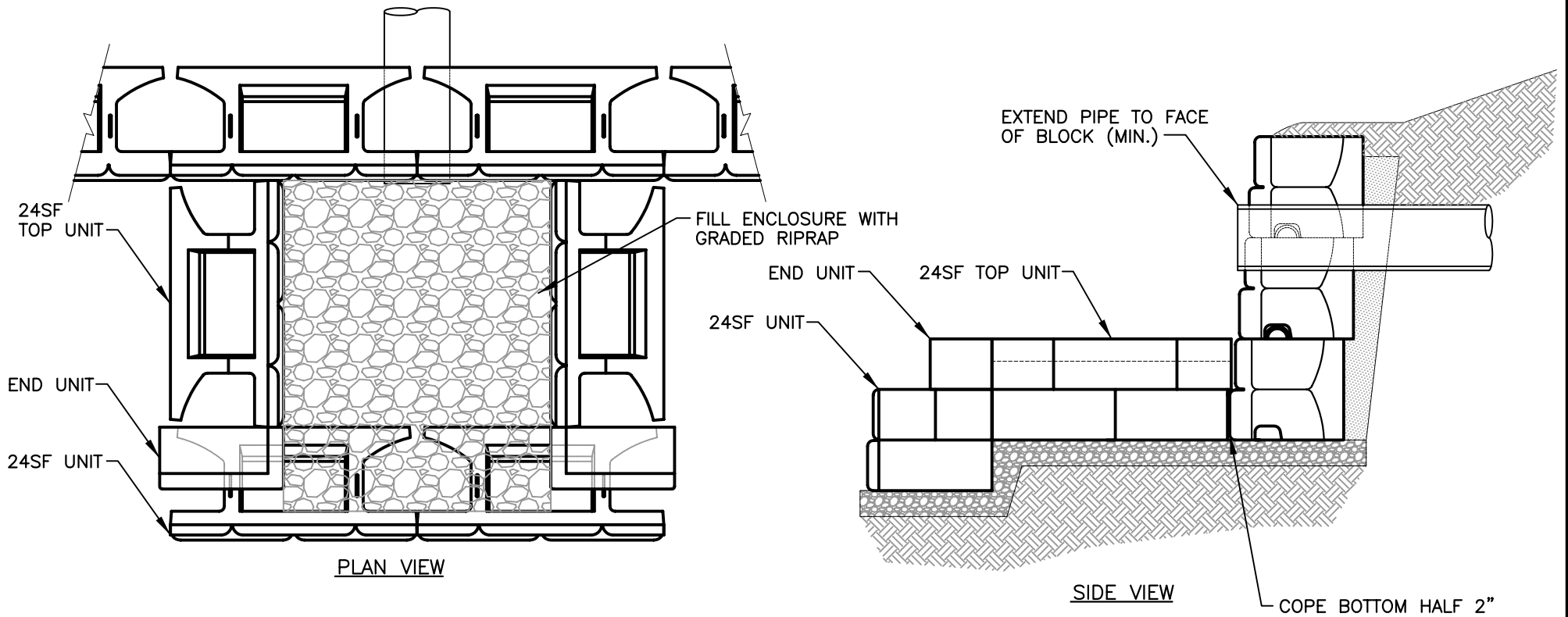
Thiele Geotech, Inc. and Stone Strong LLC are the authors of these drawings and retain all common law, statutory, and other reserved rights including the copyright. Limited license is granted to copy, reproduce, or modify the details to prepare construction drawings for Stone Strong retaining walls. Thiele Geotech, Inc. and Stone Strong LLC make no warranties, either expressed or implied, of merchantability or fitness for any particular purpose, and accept no responsibility for the accuracy, suitability, or completeness of information contained herein.



PROJECT

MISCELLANEOUS APPLICATIONS
STONE STRONG LLC

JOB # 02546.1 | DATE: 1/4/07 | FILE: DFLTPL.dwg



ENERGY DISSIPATOR

NOT TO SCALE

DISCLAIMER:

These typical details are preliminary and conceptual in nature. They are provided for general information purposes only. Anyone making use of these details and related information does so at their own risk and assumes all liability for such use. Site specific design should be performed by a licensed Professional Engineer who is familiar with the actual site conditions, materials, and local practices.

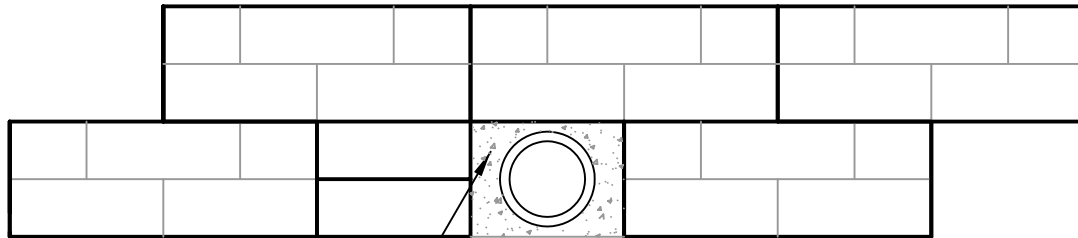
Thiele Geotech, Inc. and Stone Strong LLC are the authors of these drawings and retain all common law, statutory, and other reserved rights including the copyright. Limited license is granted to copy, reproduce, or modify the details to prepare construction drawings for Stone Strong retaining walls. Thiele Geotech, Inc. and Stone Strong LLC make no warranties, either expressed or implied, of merchantability or fitness for any particular purpose, and accept no responsibility for the accuracy, suitability, or completeness of information contained herein.



PROJECT

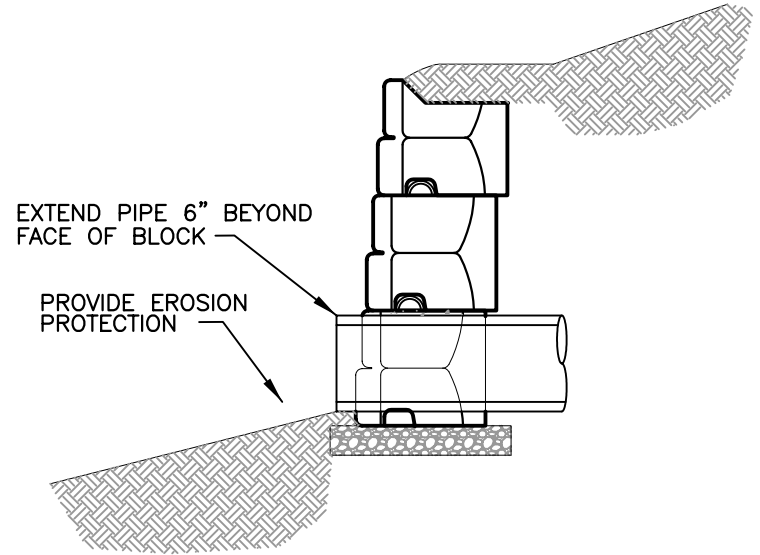
MISCELLANEOUS APPLICATIONS
STONE STRONG LLC

JOB # 02546.1 | DATE: 1/4/07 | FILE: Energy.dwg



GROUT OPENING AROUND
PIPE FLUSH TO ADJACENT
BLOCK UNITS

FACE OF WALL



EXTEND PIPE 6" BEYOND
FACE OF BLOCK

PROVIDE EROSION
PROTECTION

SIDE OF WALL

PIPE OUTLET
NOT TO SCALE

DISCLAIMER:

These typical details are preliminary and conceptual in nature. They are provided for general information purposes only. Anyone making use of these details and related information does so at their own risk and assumes all liability for such use. Site specific design should be performed by a licensed Professional Engineer who is familiar with the actual site conditions, materials, and local practices.

Thiele Geotech, Inc. and Stone Strong LLC are the authors of these drawings and retain all common law, statutory, and other reserved rights including the copyright. Limited license is granted to copy, reproduce, or modify the details to prepare construction drawings for Stone Strong retaining walls. Thiele Geotech, Inc. and Stone Strong LLC make no warranties, either expressed or implied, of merchantability or fitness for any particular purpose, and accept no responsibility for the accuracy, suitability, or completeness of information contained herein.



Thiele Geotech Inc

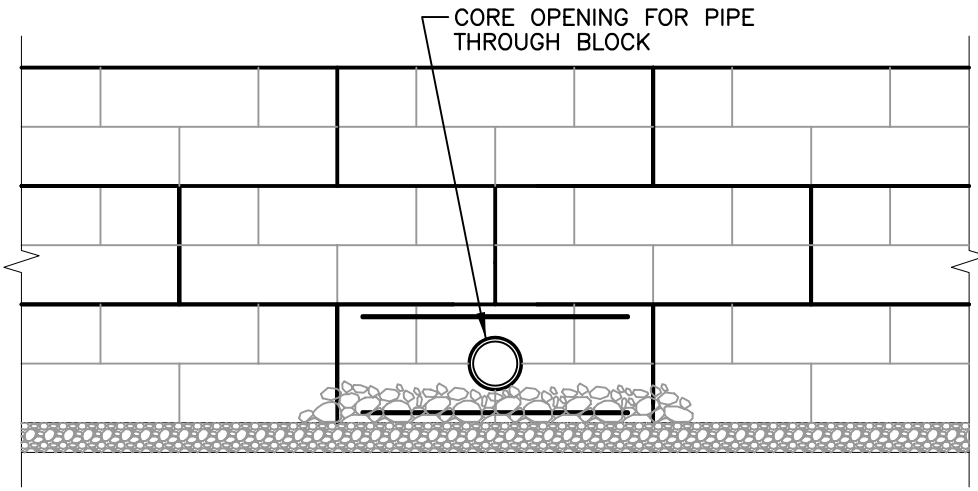
PROJECT

MISCELLANEOUS APPLICATIONS
STONE STRONG LLC

JOB # 02546.1

DATE: 1/4/07

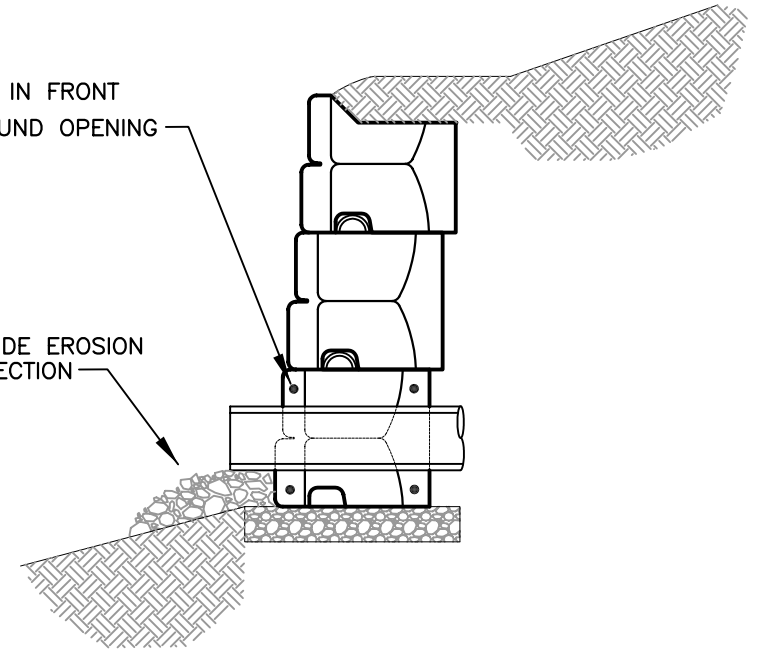
FILE: Pipehlot1t.dwg



FACE OF WALL

PROVIDE #6 BAR T&B IN FRONT AND REAR FACES AROUND OPENING

PROVIDE EROSION PROTECTION



SECTION THROUGH PIPE

PIPE OUTLET
NOT TO SCALE

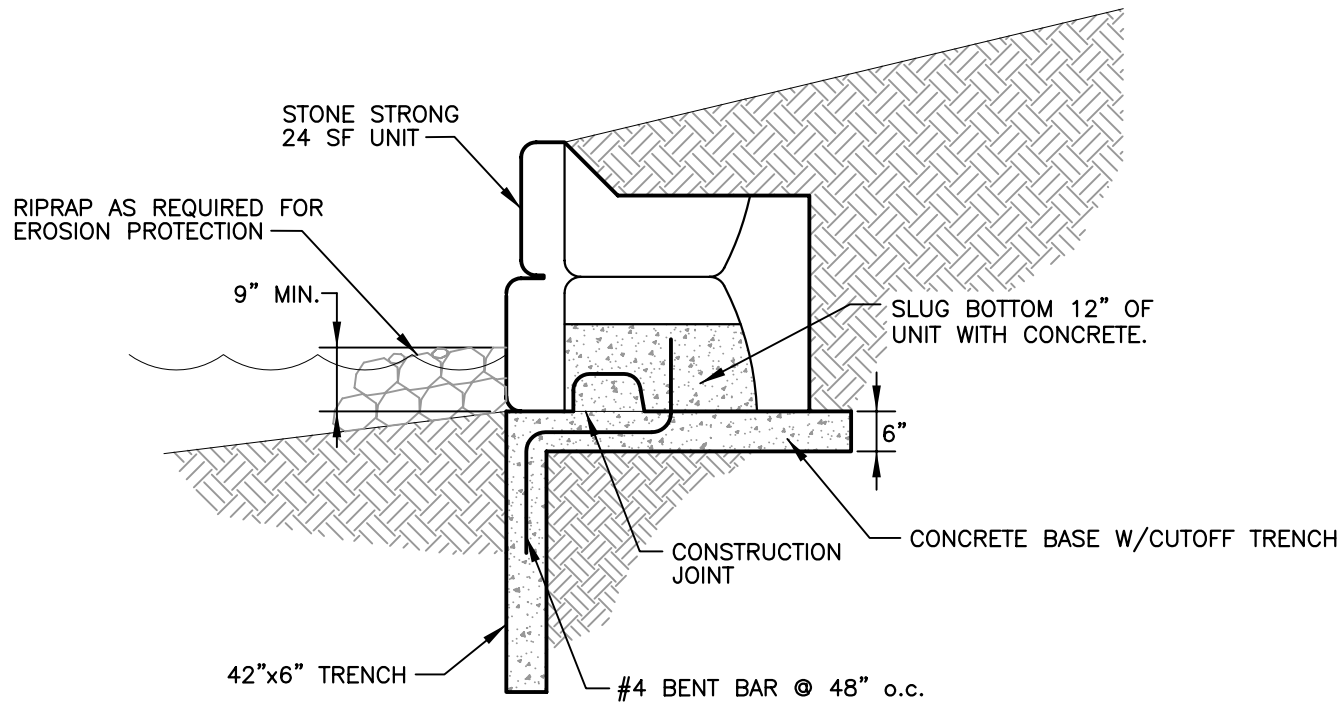
DISCLAIMER:

These typical details are preliminary and conceptual in nature. They are provided for general information purposes only. Anyone making use of these details and related information does so at their own risk and assumes all liability for such use. Site specific design should be performed by a licensed Professional Engineer who is familiar with the actual site conditions, materials, and local practices.

Thiele Geotech, Inc. and Stone Strong LLC are the authors of these drawings and retain all common law, statutory, and other reserved rights including the copyright. Limited license is granted to copy, reproduce, or modify the details to prepare construction drawings for Stone Strong retaining walls. Thiele Geotech, Inc. and Stone Strong LLC make no warranties, either expressed or implied, of merchantability or fitness for any particular purpose, and accept no responsibility for the accuracy, suitability, or completeness of information contained herein.



PROJECT		
MISCELLANEOUS APPLICATIONS		
STONE STRONG LLC		
JOB # 02546.1	DATE: 1/4/07	FILE: Pipeoutlet.dwg



NOTE: WAVE AND ICE CONSIDERATIONS SHOULD BE EVALUATED TO DETERMINE THE MINIMUM BORDER HEIGHT AND RIPRAP REQUIREMENTS. EROSION OF THE BASE AND WAVE OVERTOPPING CAN DESTABILIZE THE BORDER. ICE LOADS MAY ALSO CONTROL THE DESIGN.

POND BORDER WALL

NOT TO SCALE

DISCLAIMER:

These typical details are preliminary and conceptual in nature. They are provided for general information purposes only. Anyone making use of these details and related information does so at their own risk and assumes all liability for such use. Site specific design should be performed by a licensed Professional Engineer who is familiar with the actual site conditions, materials, and local practices.

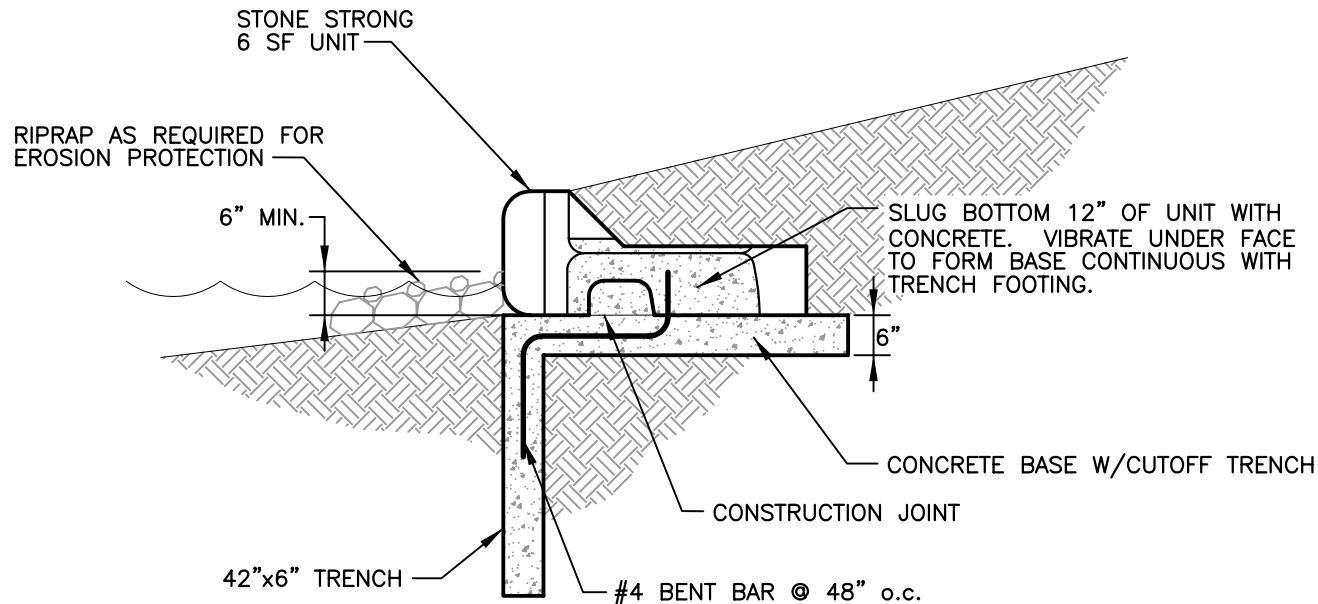
Thiele Geotech, Inc. and Stone Strong LLC are the authors of these drawings and retain all common law, statutory, and other reserved rights including the copyright. Limited license is granted to copy, reproduce, or modify the details to prepare construction drawings for Stone Strong retaining walls. Thiele Geotech, Inc. and Stone Strong LLC make no warranties, either expressed or implied, of merchantability or fitness for any particular purpose, and accept no responsibility for the accuracy, suitability, or completeness of information contained herein.



PROJECT

MISCELLANEOUS APPLICATIONS
STONE STRONG LLC

JOB # 02546.1 | DATE: 1/4/07 | FILE: PndBrd24.dwg



NOTE: 24SF BLOCK RECOMENDED EXCEPT FOR SMALL PONDS. WAVE AND ICE CONSIDERATIONS SHOULD BE EVALUATED TO DETERMINE THE MINIMUM BORDER HEIGHT AND RIPRAP REQUIREMENTS. EROSION OF THE BASE AND WAVE OVERTOPPING CAN DESTABILIZE THE BORDER. ICE LOADS MAY ALSO CONTROL THE DESIGN.

POND BORDER WALL

NOT TO SCALE

DISCLAIMER:

These typical details are preliminary and conceptual in nature. They are provided for general information purposes only. Anyone making use of these details and related information does so at their own risk and assumes all liability for such use. Site specific design should be performed by a licensed Professional Engineer who is familiar with the actual site conditions, materials, and local practices.

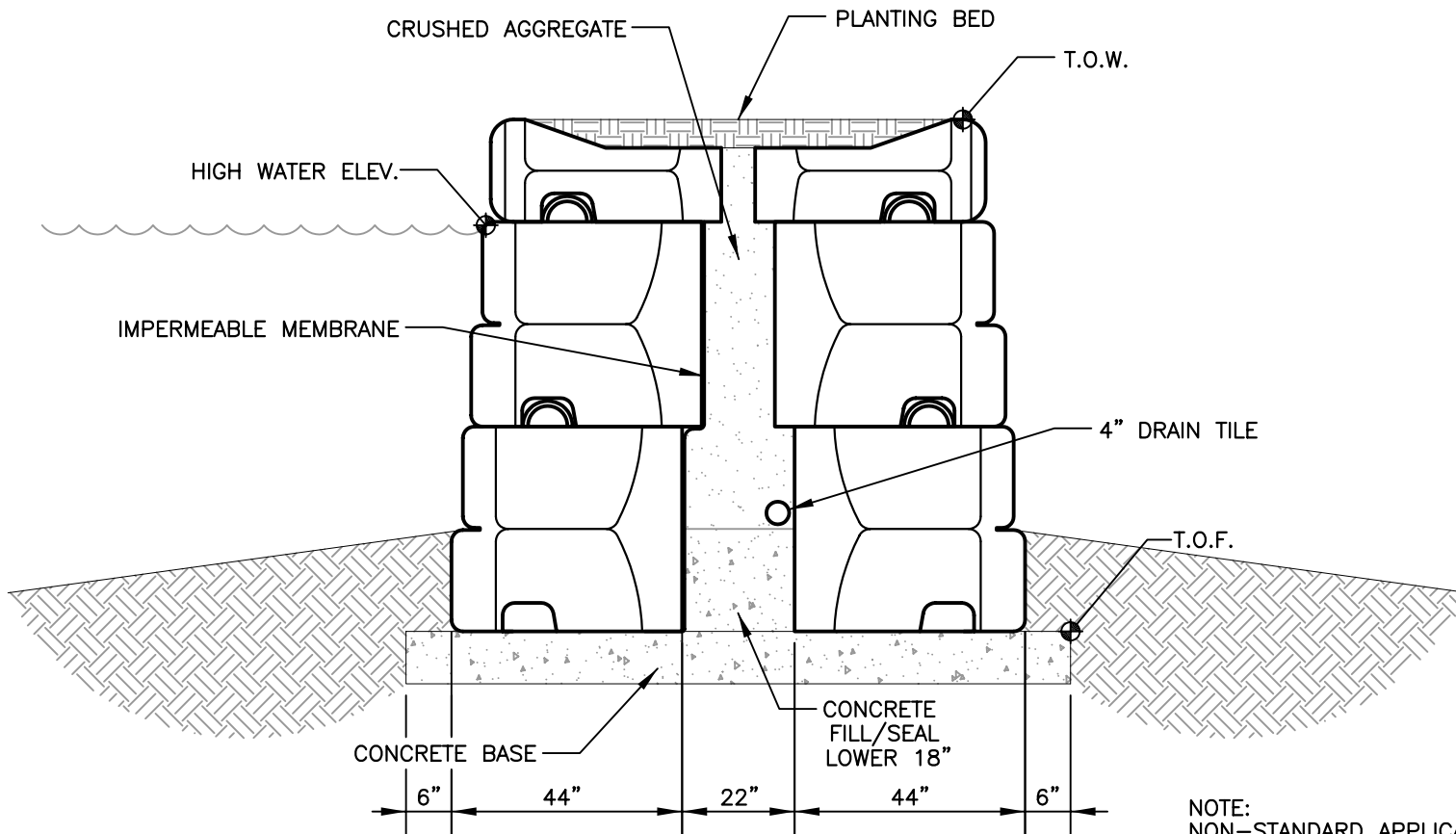
Thiele Geotech, Inc. and Stone Strong LLC are the authors of these drawings and retain all common law, statutory, and other reserved rights including the copyright. Limited license is granted to copy, reproduce, or modify the details to prepare construction drawings for Stone Strong retaining walls. Thiele Geotech, Inc. and Stone Strong LLC make no warranties, either expressed or implied, of merchantability or fitness for any particular purpose, and accept no responsibility for the accuracy, suitability, or completeness of information contained herein.



PROJECT

MISCELLANEOUS APPLICATIONS
STONE STRONG LLC

JOB # 02546.1 | DATE: 1/4/07 | FILE: PndBrd6.dwg



NOTE:
NON-STANDARD APPLICATION -
REQUIRES ADAPTATION TO
SPECIFIC PROJECT.

DETENTION WALL CROSS SECTION
NOT TO SCALE

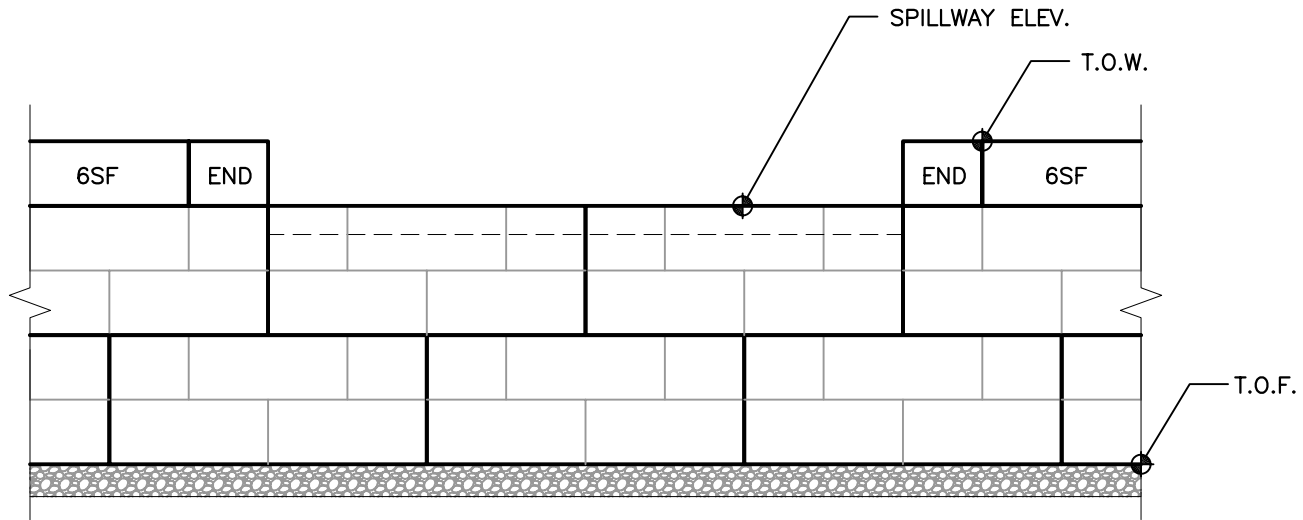
DISCLAIMER:

These typical details are preliminary and conceptual in nature. They are provided for general information purposes only. Anyone making use of these details and related information does so at their own risk and assumes all liability for such use. Site specific design should be performed by a licensed Professional Engineer who is familiar with the actual site conditions, materials, and local practices.

Thiele Geotech, Inc. and Stone Strong LLC are the authors of these drawings and retain all common law, statutory, and other reserved rights including the copyright. Limited license is granted to copy, reproduce, or modify the details to prepare construction drawings for Stone Strong retaining walls. Thiele Geotech, Inc. and Stone Strong LLC make no warranties, either expressed or implied, of merchantability or fitness for any particular purpose, and accept no responsibility for the accuracy, suitability, or completeness of information contained herein.



PROJECT
MISCELLANEOUS APPLICATIONS STONE STRONG LLC
JOB # 02546.0 DATE: 1/4/07 FILE: deten.dwg



NOTE:
NON-STANDARD APPLICATION –
REQUIRES ADAPTATION TO
SPECIFIC PROJECT.

SPILLWAY ELEVATION

NOT TO SCALE

DISCLAIMER:

These typical details are preliminary and conceptual in nature. They are provided for general information purposes only. Anyone making use of these details and related information does so at their own risk and assumes all liability for such use. Site specific design should be performed by a licensed Professional Engineer who is familiar with the actual site conditions, materials, and local practices.

Thiele Geotech, Inc. and Stone Strong LLC are the authors of these drawings and retain all common law, statutory, and other reserved rights including the copyright. Limited license is granted to copy, reproduce, or modify the details to prepare construction drawings for Stone Strong retaining walls. Thiele Geotech, Inc. and Stone Strong LLC make no warranties, either expressed or implied, of merchantability or fitness for any particular purpose, and accept no responsibility for the accuracy, suitability, or completeness of information contained herein.

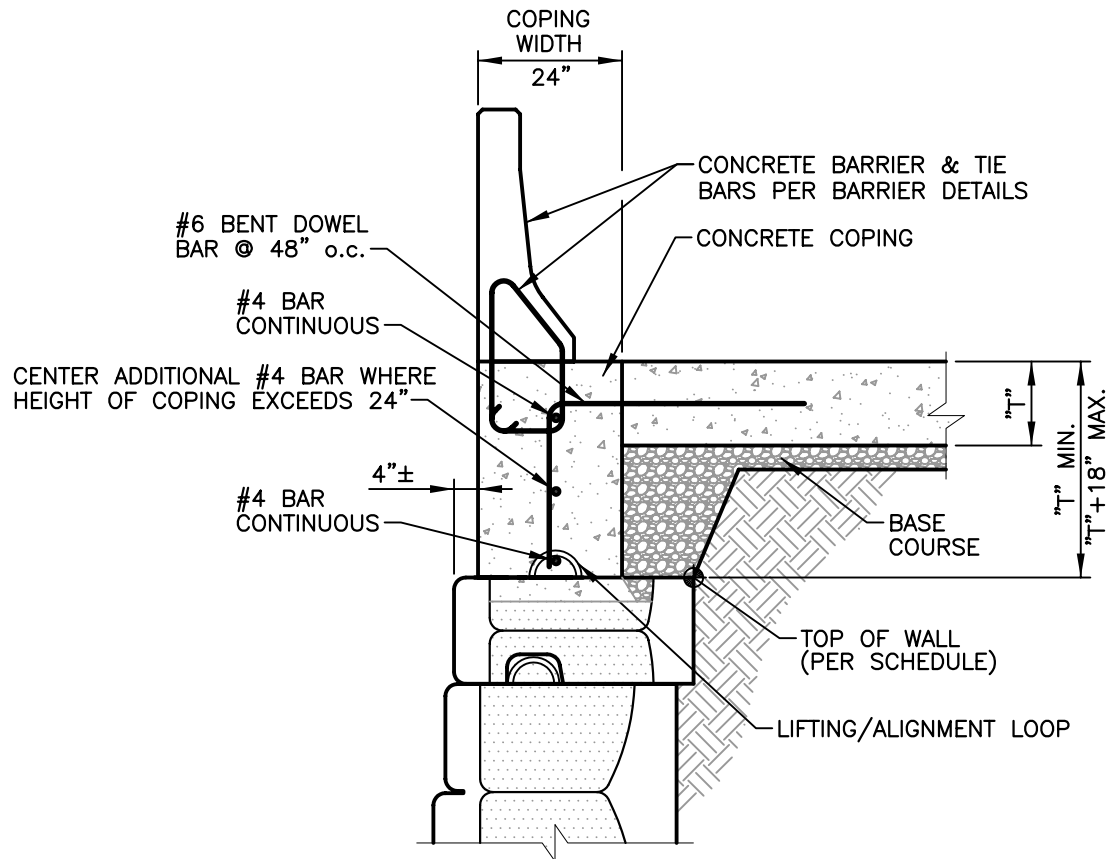


Thiele Geotech Inc

PROJECT

MISCELLANEOUS APPLICATIONS
STONE STRONG LLC

JOB # 02546.0 | DATE: 1/4/07 | FILE: spillway.dwg



CONCRETE COPING DETAIL

NOT TO SCALE

DISCLAIMER:

These typical details are preliminary and conceptual in nature. They are provided for general information purposes only. Anyone making use of these details and related information does so at their own risk and assumes all liability for such use. Site specific design should be performed by a licensed Professional Engineer who is familiar with the actual site conditions, materials, and local practices.

Thiele Geotech, Inc. and Stone Strong LLC are the authors of these drawings and retain all common law, statutory, and other reserved rights including the copyright. Limited license is granted to copy, reproduce, or modify the details to prepare construction drawings for Stone Strong retaining walls. Thiele Geotech, Inc. and Stone Strong LLC make no warranties, either expressed or implied, of merchantability or fitness for any particular purpose, and accept no responsibility for the accuracy, suitability, or completeness of information contained herein.



Thiele Geotech Inc

PROJECT

MISCELLANEOUS APPLICATIONS
STONE STRONG LLC

JOB # 02546.0

DATE: 1/4/07

FILE: barrier.dwg