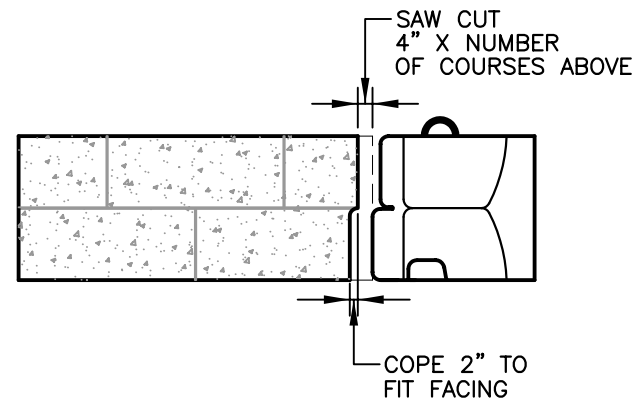


NOTE: TOP COURSES WILL USE FULL BLOCKS.  
TRIM LOWER COURSES TO MAINTAIN  
RUNNING BOND, EXCEPT AS NOTED  
ON LAYOUT DRAWING.



INSIDE CORNERS – OPTIONAL  
NOT TO SCALE

**DISCLAIMER:**

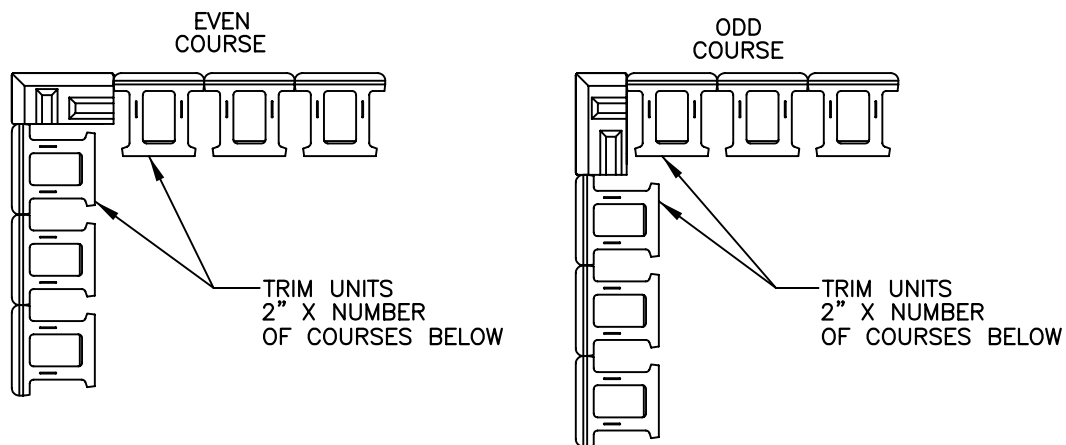
These typical details are preliminary and conceptual in nature. They are provided for general information purposes only. Anyone making use of these details and related information does so at their own risk and assumes all liability for such use. Site specific design should be performed by a licensed Professional Engineer who is familiar with the actual site conditions, materials, and local practices.

Thiele Geotech, Inc. and Stone Strong LLC are the authors of these drawings and retain all common law, statutory, and other reserved rights including the copyright. Limited license is granted to copy, reproduce, or modify the details to prepare construction drawings for Stone Strong retaining walls. Thiele Geotech, Inc. and Stone Strong LLC make no warranties, either expressed or implied, of merchantability or fitness for any particular purpose, and accept no responsibility for the accuracy, suitability, or completeness of information contained herein.



PROJECT

CORNER DETAILS  
STONE STRONG LLC



NOTE: USE FULL BLOCKS FIRST COURSE.  
 TRIM SUBSEQUENT COURSES TO  
 MAINTAIN RUNNING BOND, EXCEPT  
 AS NOTED ON LAYOUT DRAWING.

CAST SLEEVE FOR FENCE POST  
 IN TOP CORNER BLOCK.

## OUTSIDE CORNERS—OPTIONAL

NOT TO SCALE

**DISCLAIMER:**

These typical details are preliminary and conceptual in nature. They are provided for general information purposes only. Anyone making use of these details and related information does so at their own risk and assumes all liability for such use. Site specific design should be performed by a licensed Professional Engineer who is familiar with the actual site conditions, materials, and local practices.

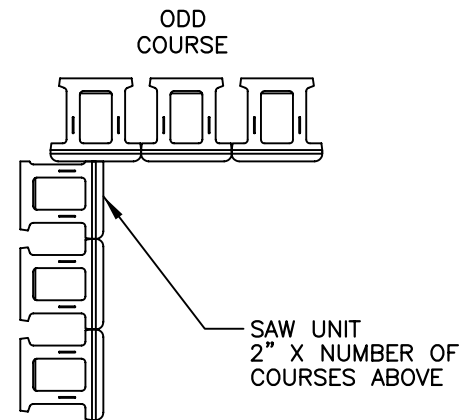
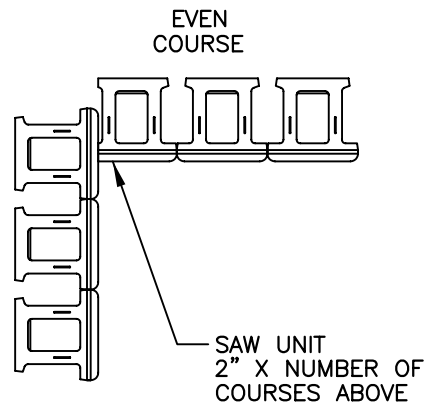
Thiele Geotech, Inc. and Stone Strong LLC are the authors of these drawings and retain all common law, statutory, and other reserved rights including the copyright. Limited license is granted to copy, reproduce, or modify the details to prepare construction drawings for Stone Strong retaining walls. Thiele Geotech, Inc. and Stone Strong LLC make no warranties, either expressed or implied, of merchantability or fitness for any particular purpose, and accept no responsibility for the accuracy, suitability, or completeness of information contained herein.



PROJECT

CORNER DETAILS  
 STONE STRONG LLC

JOB # 02546.1 | DATE: 1/3/07 | FILE: 60Corner.dwg



## INSIDE CORNERS—OPTIONAL

NOT TO SCALE

NOTE: TOP COURSE WILL USE FULL BLOCKS.  
TRIM LOWER COURSES TO MAINTAIN  
RUNNING BOND, EXCEPT AS NOTED  
ON LAYOUT DRAWING.

### DISCLAIMER:

These typical details are preliminary and conceptual in nature. They are provided for general information purposes only. Anyone making use of these details and related information does so at their own risk and assumes all liability for such use. Site specific design should be performed by a licensed Professional Engineer who is familiar with the actual site conditions, materials, and local practices.

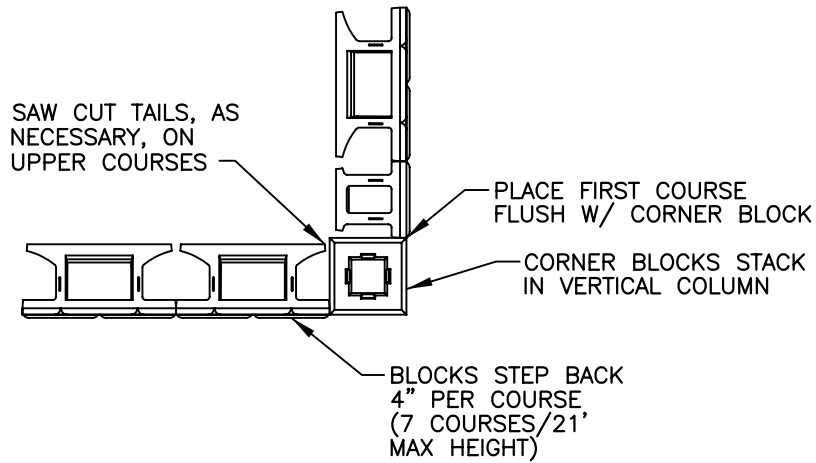
Thiele Geotech, Inc. and Stone Strong LLC are the authors of these drawings and retain all common law, statutory, and other reserved rights including the copyright. Limited license is granted to copy, reproduce, or modify the details to prepare construction drawings for Stone Strong retaining walls. Thiele Geotech, Inc. and Stone Strong LLC make no warranties, either expressed or implied, of merchantability or fitness for any particular purpose, and accept no responsibility for the accuracy, suitability, or completeness of information contained herein.



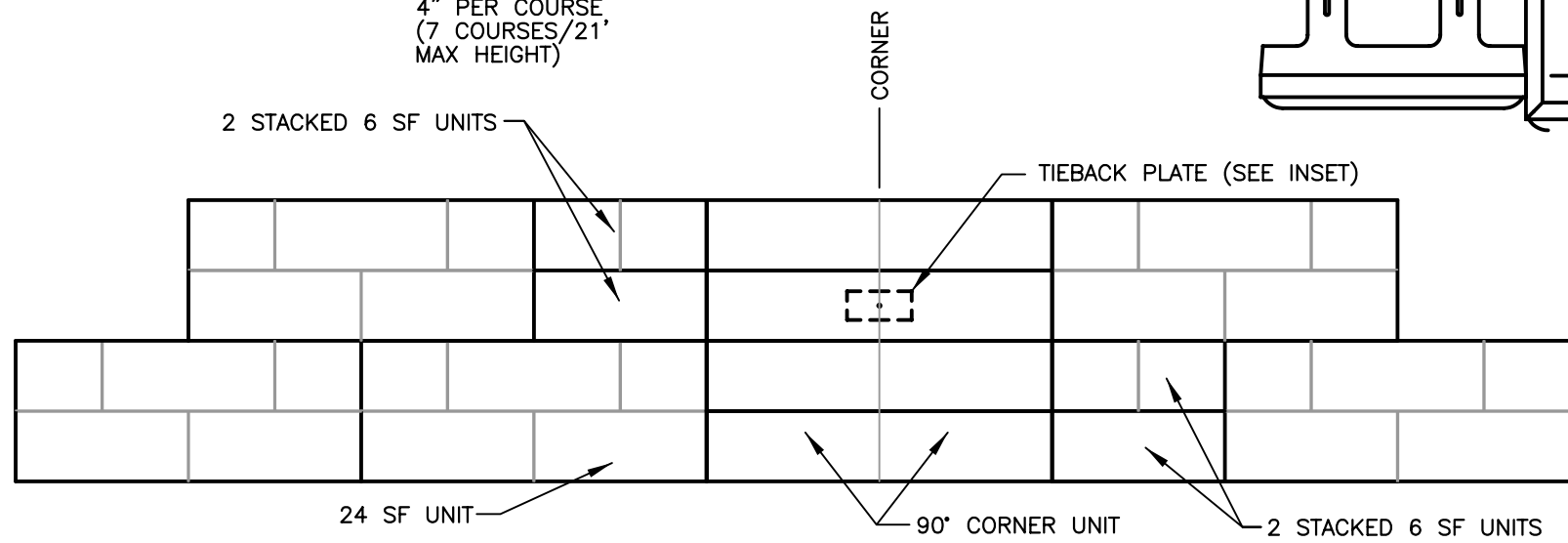
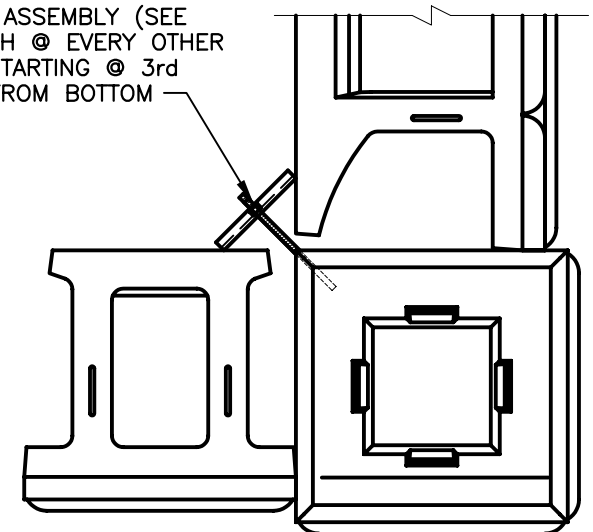
PROJECT

CORNER DETAILS  
STONE STRONG LLC

JOB # 02546.1 | DATE: 1/3/07 | FILE: 6lCorner.dwg



TIEBACK PLATE ASSEMBLY (SEE DETAIL). ATTACH @ EVERY OTHER CORNER UNIT STARTING @ 3rd CORNER UNIT FROM BOTTOM



OUTSIDE 90° CORNER  
NOT TO SCALE

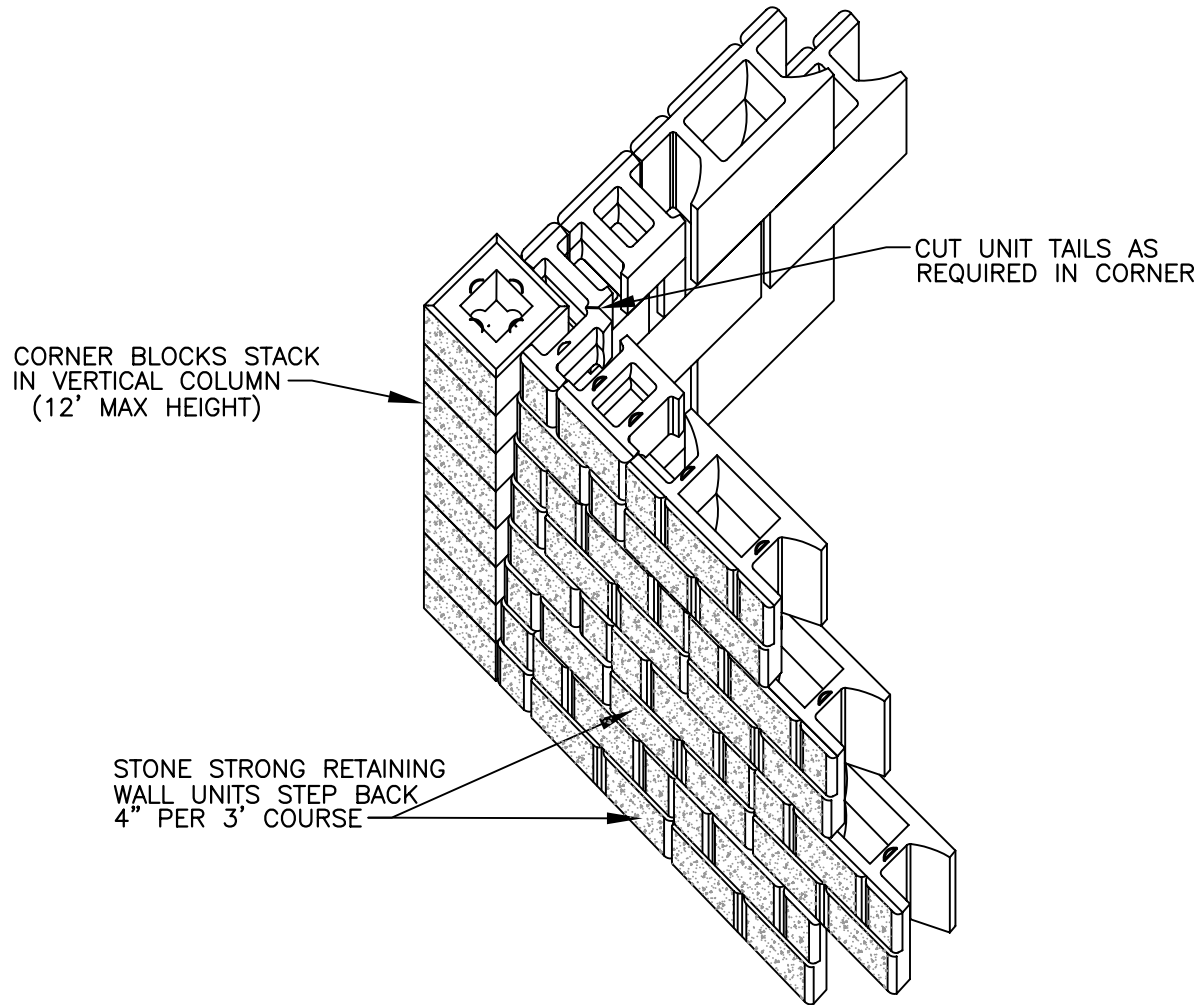
**DISCLAIMER:**

These typical details are preliminary and conceptual in nature. They are provided for general information purposes only. Anyone making use of these details and related information does so at their own risk and assumes all liability for such use. Site specific design should be performed by a licensed Professional Engineer who is familiar with the actual site conditions, materials, and local practices.

Thiele Geotech, Inc. and Stone Strong LLC are the authors of these drawings and retain all common law, statutory, and other reserved rights including the copyright. Limited license is granted to copy, reproduce, or modify the details to prepare construction drawings for Stone Strong retaining walls. Thiele Geotech, Inc. and Stone Strong LLC make no warranties, either expressed or implied, of merchantability or fitness for any particular purpose, and accept no responsibility for the accuracy, suitability, or completeness of information contained herein.



PROJECT		
CORNER DETAILS STONE STRONG LLC		
JOB # 02546.1	DATE: 1/3/07	FILE: C90os.dwg



## OUTSIDE 90° CORNER—PERSPECTIVE VIEW

NOT TO SCALE

**DISCLAIMER:**

These typical details are preliminary and conceptual in nature. They are provided for general information purposes only. Anyone making use of these details and related information does so at their own risk and assumes all liability for such use. Site specific design should be performed by a licensed Professional Engineer who is familiar with the actual site conditions, materials, and local practices.

Thiele Geotech, Inc. and Stone Strong LLC are the authors of these drawings and retain all common law, statutory, and other reserved rights including the copyright. Limited license is granted to copy, reproduce, or modify the details to prepare construction drawings for Stone Strong retaining walls. Thiele Geotech, Inc. and Stone Strong LLC make no warranties, either expressed or implied, of merchantability or fitness for any particular purpose, and accept no responsibility for the accuracy, suitability, or completeness of information contained herein.



Thiele Geotech Inc

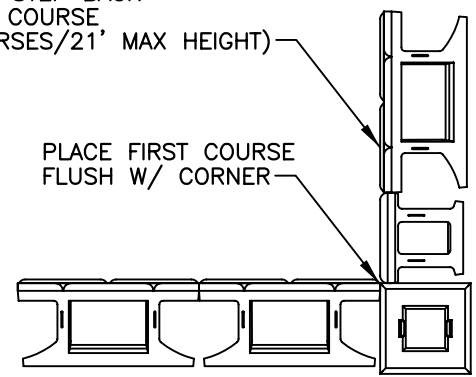
PROJECT

CORNER DETAILS  
STONE STRONG LLC

JOB # 02546.1 | DATE: 1/3/07 | FILE: C9Oosp.dwg

BLOCKS STEP BACK  
4" PER COURSE  
(7 COURSES/21' MAX HEIGHT)

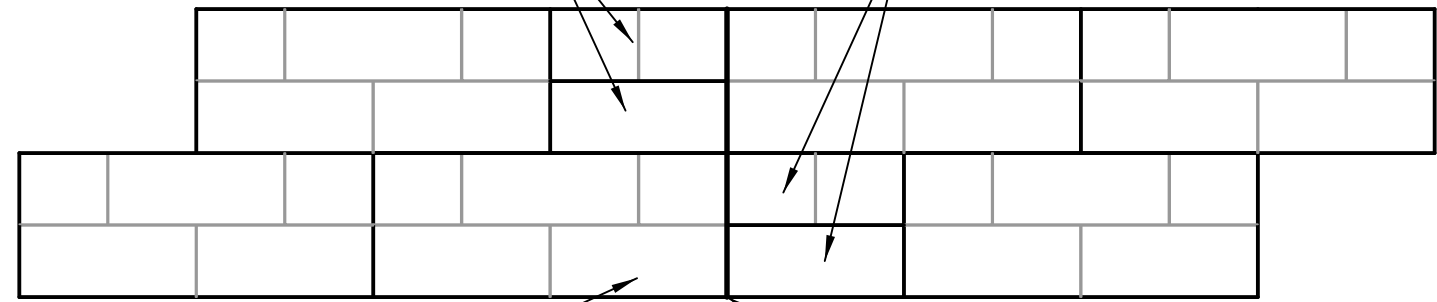
PLACE FIRST COURSE  
FLUSH W/ CORNER



2 STACKED 6 SF UNITS

CORNER

2 STACKED 6 SF UNITS



24 SF UNIT

90° CORNER UNIT (HIDDEN)

### INSIDE 90° CORNER

NOT TO SCALE

**DISCLAIMER:**

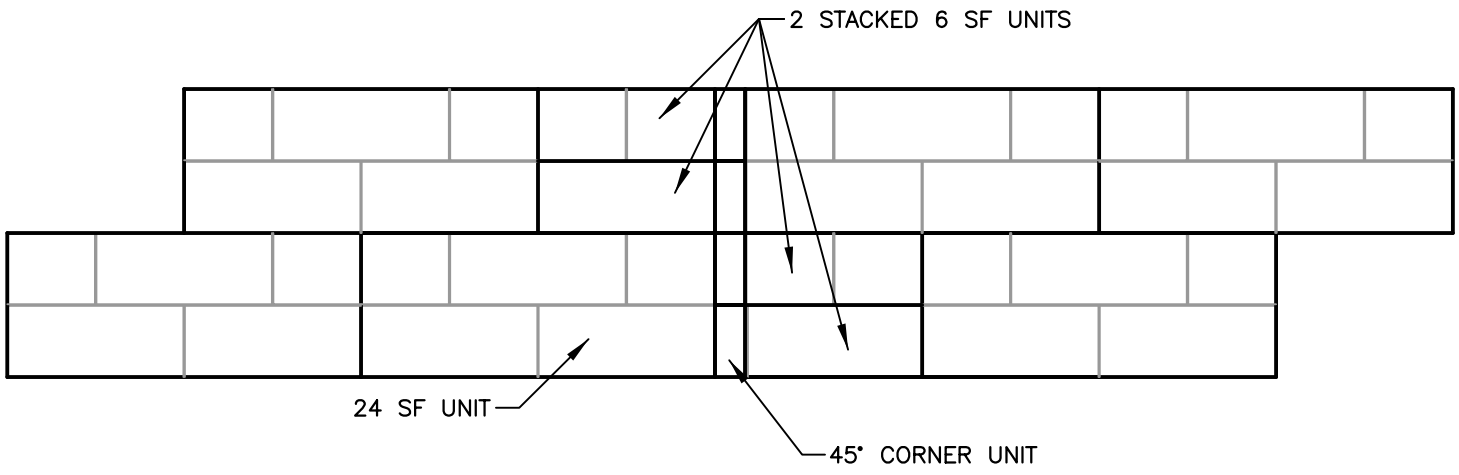
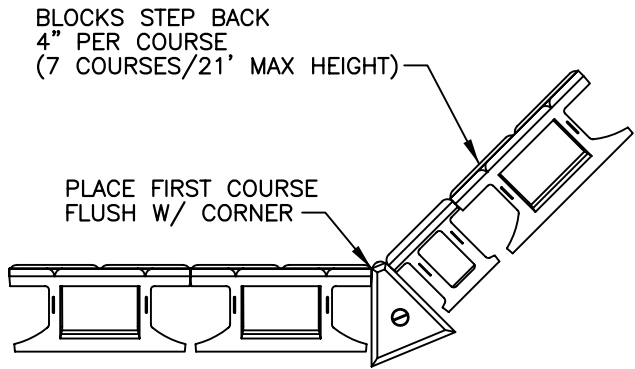
These typical details are preliminary and conceptual in nature. They are provided for general information purposes only. Anyone making use of these details and related information does so at their own risk and assumes all liability for such use. Site specific design should be performed by a licensed Professional Engineer who is familiar with the actual site conditions, materials, and local practices.

Thiele Geotech, Inc. and Stone Strong LLC are the authors of these drawings and retain all common law, statutory, and other reserved rights including the copyright. Limited license is granted to copy, reproduce, or modify the details to prepare construction drawings for Stone Strong retaining walls. Thiele Geotech, Inc. and Stone Strong LLC make no warranties, either expressed or implied, of merchantability or fitness for any particular purpose, and accept no responsibility for the accuracy, suitability, or completeness of information contained herein.



PROJECT

CORNER DETAILS  
STONE STRONG LLC



**INSIDE 45° CORNER**  
NOT TO SCALE

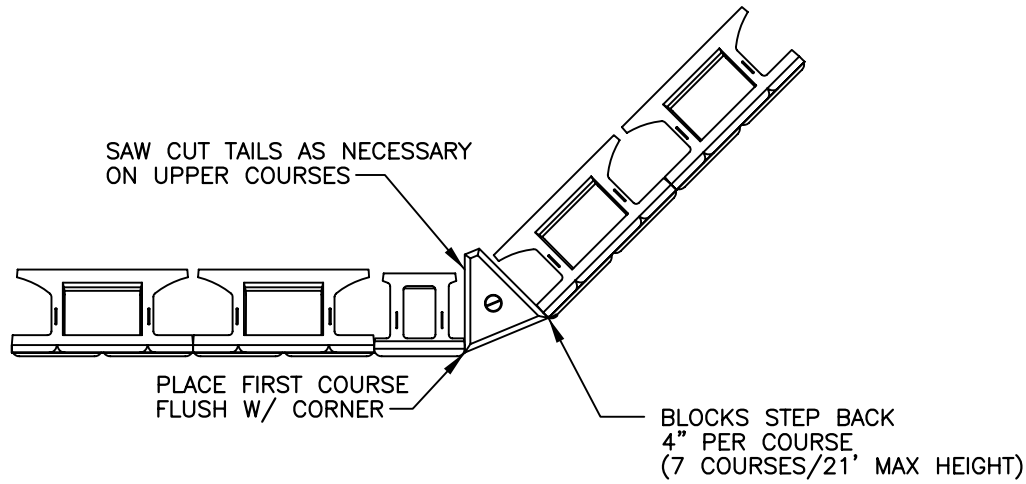
**DISCLAIMER:**

These typical details are preliminary and conceptual in nature. They are provided for general information purposes only. Anyone making use of these details and related information does so at their own risk and assumes all liability for such use. Site specific design should be performed by a licensed Professional Engineer who is familiar with the actual site conditions, materials, and local practices.

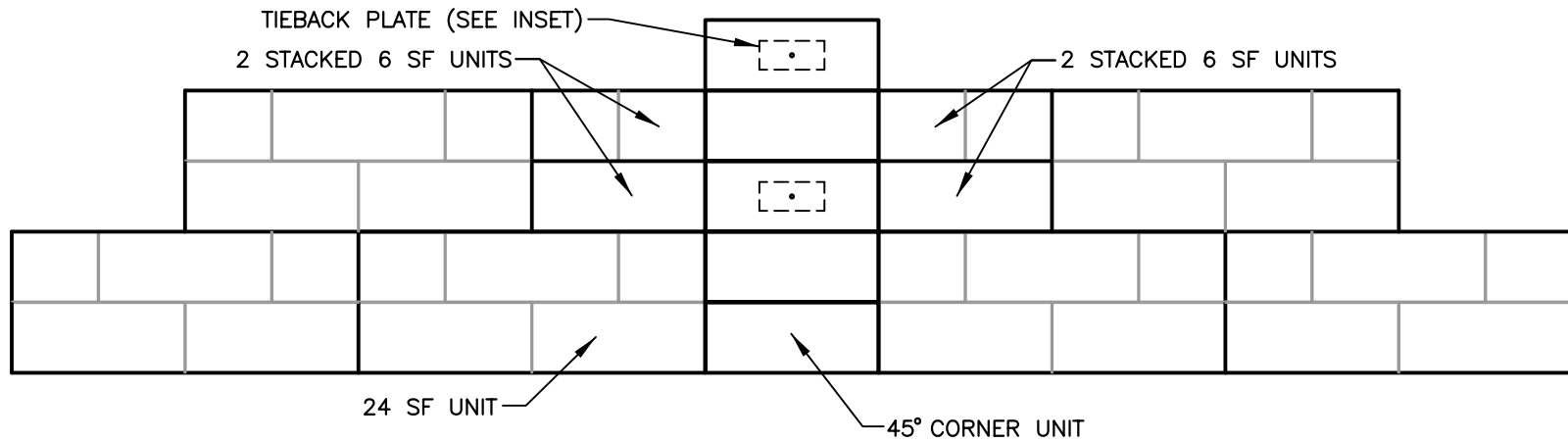
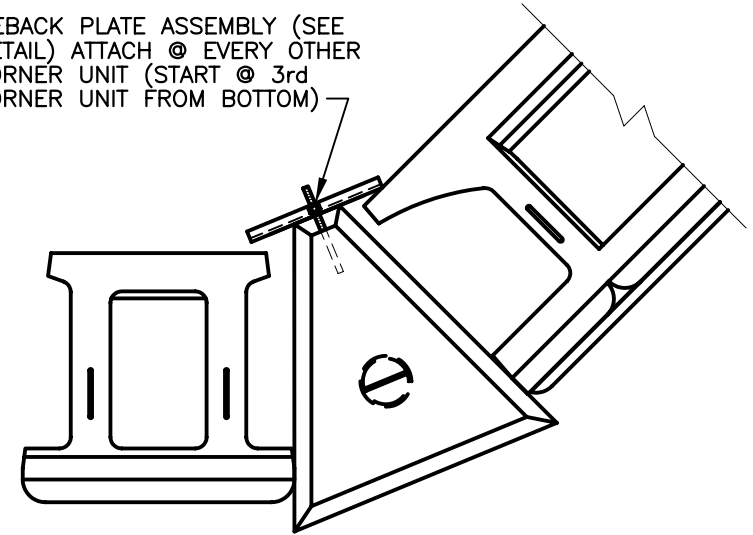
Thiele Geotech, Inc. and Stone Strong LLC are the authors of these drawings and retain all common law, statutory, and other reserved rights including the copyright. Limited license is granted to copy, reproduce, or modify the details to prepare construction drawings for Stone Strong retaining walls. Thiele Geotech, Inc. and Stone Strong LLC make no warranties, either expressed or implied, of merchantability or fitness for any particular purpose, and accept no responsibility for the accuracy, suitability, or completeness of information contained herein.



PROJECT		
CORNER DETAILS STONE STRONG LLC		
JOB # 02546.1	DATE: 1/3/07	FILE: C45is.dwg



TIEBACK PLATE ASSEMBLY (SEE DETAIL) ATTACH @ EVERY OTHER CORNER UNIT (START @ 3rd CORNER UNIT FROM BOTTOM)



## OUTSIDE 45° CORNER

NOT TO SCALE

### DISCLAIMER:

These typical details are preliminary and conceptual in nature. They are provided for general information purposes only. Anyone making use of these details and related information does so at their own risk and assumes all liability for such use. Site specific design should be performed by a licensed Professional Engineer who is familiar with the actual site conditions, materials, and local practices.

Thiele Geotech, Inc. and Stone Strong LLC are the authors of these drawings and retain all common law, statutory, and other reserved rights including the copyright. Limited license is granted to copy, reproduce, or modify the details to prepare construction drawings for Stone Strong retaining walls. Thiele Geotech, Inc. and Stone Strong LLC make no warranties, either expressed or implied, of merchantability or fitness for any particular purpose, and accept no responsibility for the accuracy, suitability, or completeness of information contained herein.

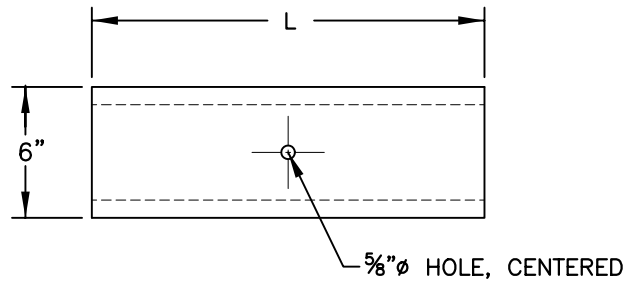


PROJECT

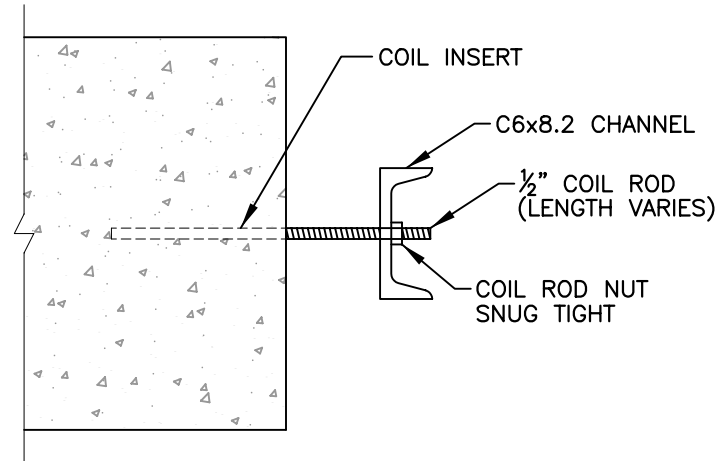
CORNER DETAILS  
STONE STRONG LLC

JOB # 02546.1 | DATE: 1/3/07 | FILE: C45os.dwg





L = 18" FOR 90° CORNER UNITS  
 L = 24" FOR 45° CORNER UNITS



**TIEBACK PLATE ASSEMBLY**  
 NOT TO SCALE

**DISCLAIMER:**

These typical details are preliminary and conceptual in nature. They are provided for general information purposes only. Anyone making use of these details and related information does so at their own risk and assumes all liability for such use. Site specific design should be performed by a licensed Professional Engineer who is familiar with the actual site conditions, materials, and local practices.

Thiele Geotech, Inc. and Stone Strong LLC are the authors of these drawings and retain all common law, statutory, and other reserved rights including the copyright. Limited license is granted to copy, reproduce, or modify the details to prepare construction drawings for Stone Strong retaining walls. Thiele Geotech, Inc. and Stone Strong LLC make no warranties, either expressed or implied, of merchantability or fitness for any particular purpose, and accept no responsibility for the accuracy, suitability, or completeness of information contained herein.

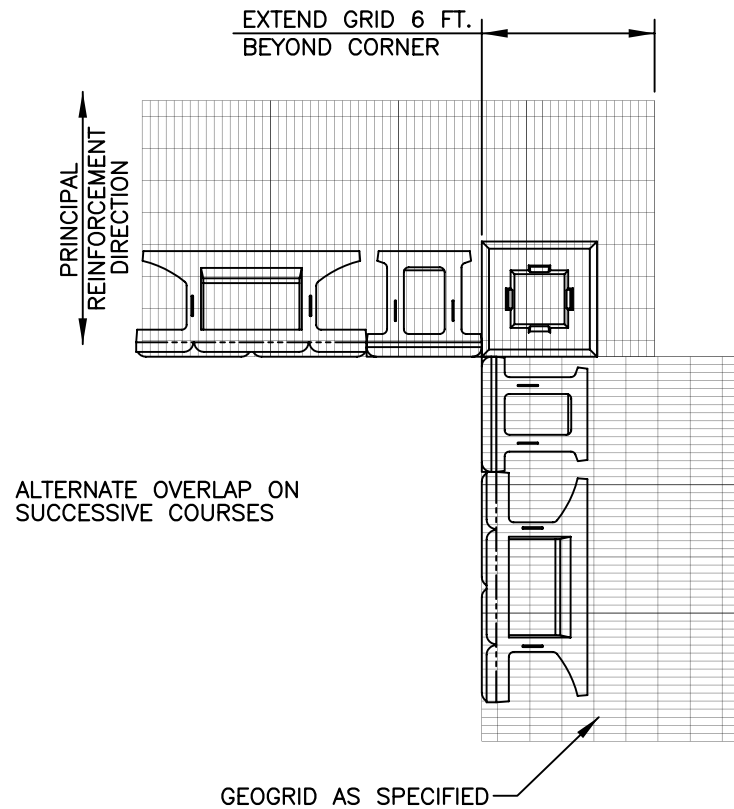
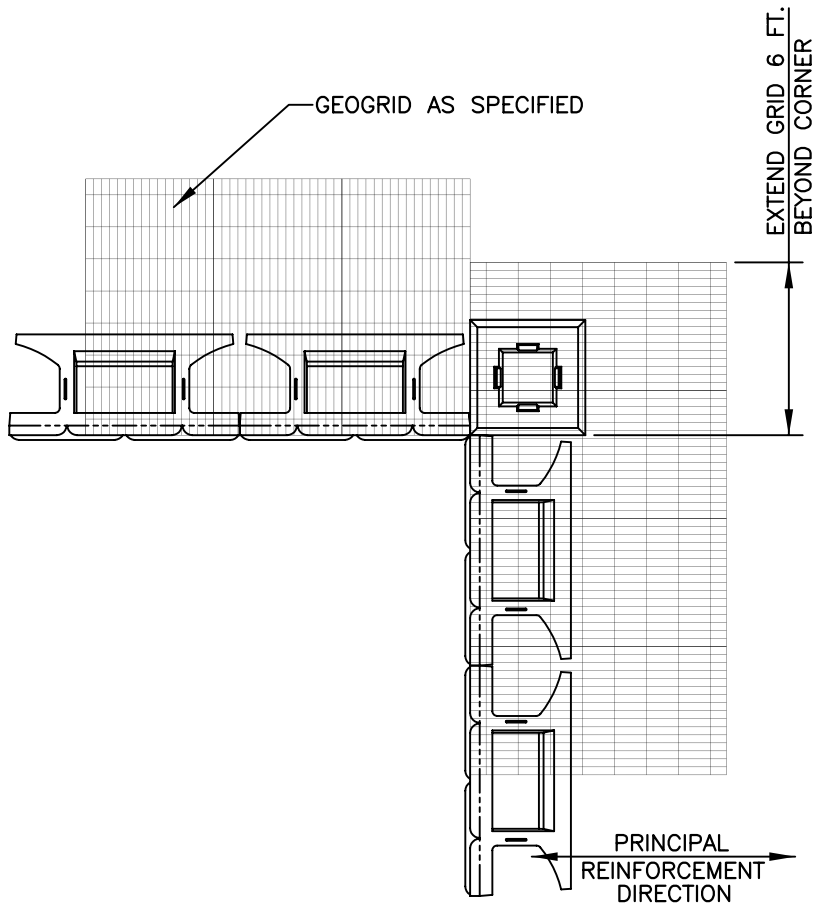


Thiele Geotech Inc

PROJECT

CORNER DETAILS  
 STONE STRONG LLC

JOB # 02546.1 | DATE: 3/16/07 | FILE: Tieback.dwg



## GRID PLACEMENT—INSIDE CORNER

NOT TO SCALE

**DISCLAIMER:**

These typical details are preliminary and conceptual in nature. They are provided for general information purposes only. Anyone making use of these details and related information does so at their own risk and assumes all liability for such use. Site specific design should be performed by a licensed Professional Engineer who is familiar with the actual site conditions, materials, and local practices.

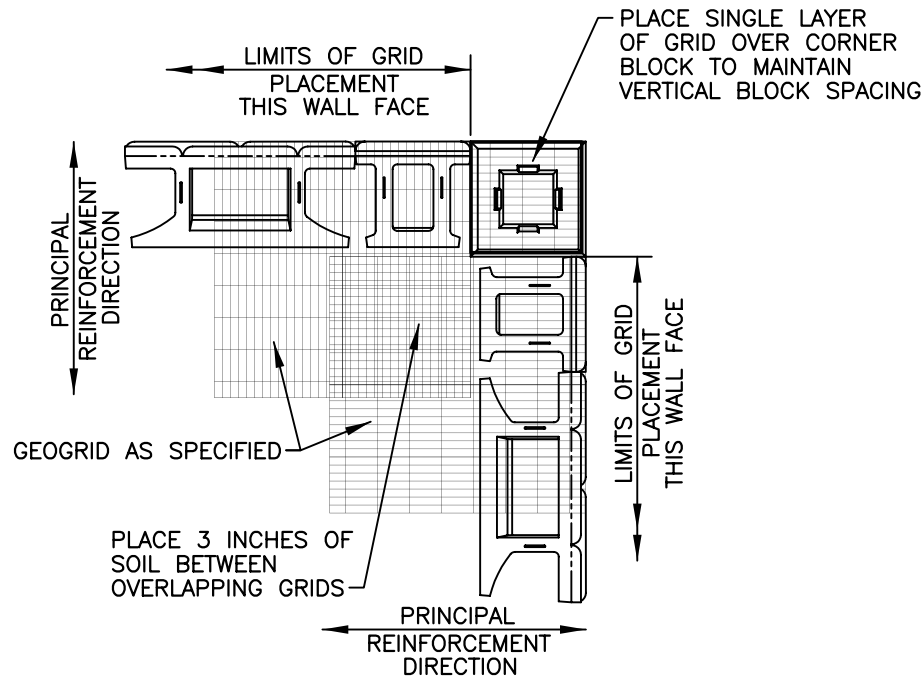
Thiele Geotech, Inc. and Stone Strong LLC are the authors of these drawings and retain all common law, statutory, and other reserved rights including the copyright. Limited license is granted to copy, reproduce, or modify the details to prepare construction drawings for Stone Strong retaining walls. Thiele Geotech, Inc. and Stone Strong LLC make no warranties, either expressed or implied, of merchantability or fitness for any particular purpose, and accept no responsibility for the accuracy, suitability, or completeness of information contained herein.



PROJECT

CORNER DETAILS  
STONE STRONG LLC

JOB # 02546.1 | DATE: 1/3/07 | FILE: Grd-lcor.dwg



## GRID PLACEMENT—OUTSIDE CORNER

NOT TO SCALE

**DISCLAIMER:**

These typical details are preliminary and conceptual in nature. They are provided for general information purposes only. Anyone making use of these details and related information does so at their own risk and assumes all liability for such use. Site specific design should be performed by a licensed Professional Engineer who is familiar with the actual site conditions, materials, and local practices.

Thiele Geotech, Inc. and Stone Strong LLC are the authors of these drawings and retain all common law, statutory, and other reserved rights including the copyright. Limited license is granted to copy, reproduce, or modify the details to prepare construction drawings for Stone Strong retaining walls. Thiele Geotech, Inc. and Stone Strong LLC make no warranties, either expressed or implied, of merchantability or fitness for any particular purpose, and accept no responsibility for the accuracy, suitability, or completeness of information contained herein.



PROJECT

CORNER DETAILS  
STONE STRONG LLC

JOB # 02546.1 | DATE: 1/3/07 | FILE: Grd-Ocor.dwg