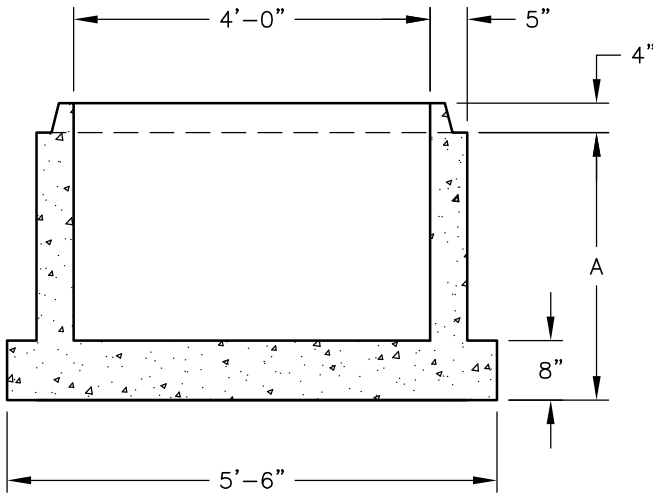


# BARBOUR CONCRETE COMPANY

21421 EAST TRUMAN ROAD, INDEPENDENCE, MO 64056  
816.796.3344

PLOT DATE: 12/21/2017



**TYPICAL SECTION**

### MONOLITHIC BASE WEIGHT

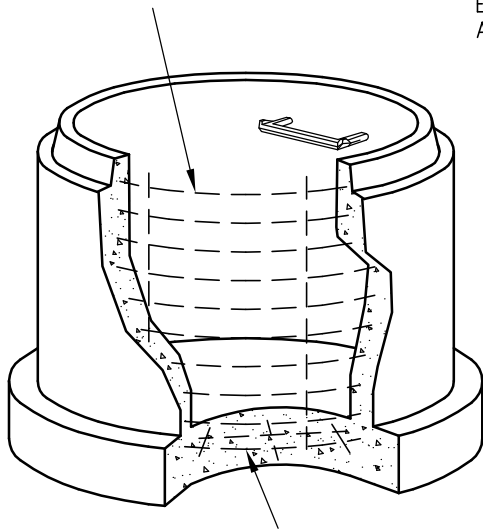
HEIGHT 'A'	WEIGHT
28"	3775 lbs
32"	4060 lbs
36"	4375 lbs
40"	4630 lbs
44"	4915 lbs
48"	5200 lbs
52"	5485 lbs

THE 4' DIAMETER MONOLITHIC BASE MANHOLE SECTION HAS THE RISER AND THE BASE SLAB CAST IN ONE PIECE.

IT MAY BE MANUFACTURED WITH YOUR CHOICE OF GASKET TYPES. REFERENCE MANHOLE SECTION PAGE \_

CONCRETE ADDITIVE OPTIONS PER CITY SPECIFICATION OR AS SPECIFIED: CONSHIELD, CONTINT AND CRYSTAL X <sup>(1)</sup>

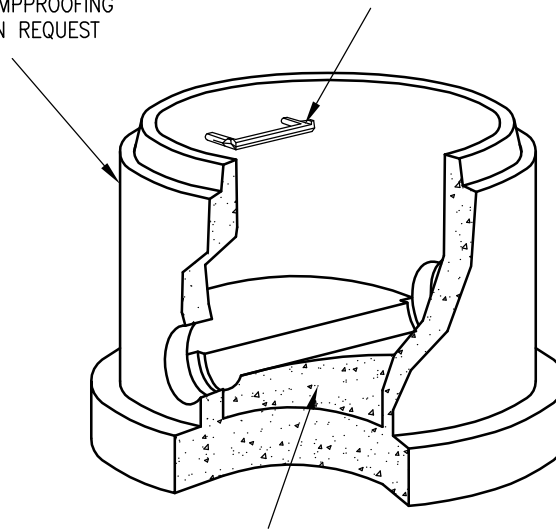
A.S.T.M. C-478 REINFORCING OR AS SPECIFIED



BASE REINFORCED #4 @ 6" O.C.E.W. OR #5 @ 6" O.C.E.W PER CITY SPECIFICATION OR AS SPECIFIED

EXTERIOR DAMPPROOFING AVAILABLE ON REQUEST

STEEL REINFORCED POLYPROPYLENE STEPS SPACED AT 16" O.C. WHEN DEPTH REQUIRES (SEE REFERENCE SECTION)



AVAILABLE WITH CUSTOM PREFORMED INVERTS (ADDITIONAL CHARGE)

**MANHOLE - MONOLITHIC BASE AND PREFORMED INVERTS**

(1) BARBOUR CONCRETE IS ALWAYS MOVING FORWARD AND ADAPTING TO THE INDUSTRY TO CARRY AND OFFER THE LATEST ADMIXTURES ON THE MARKET.